

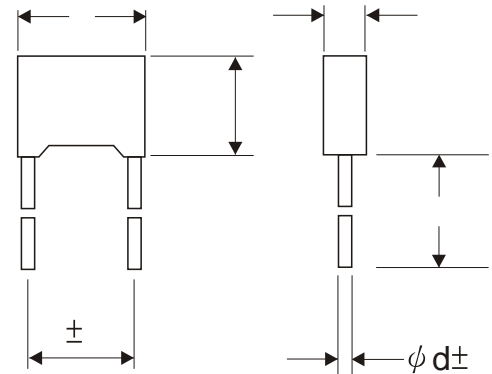
METALLIZED POLYPROPYLENE FILM CAPACITORS (X1)

金屬化聚丙烯薄膜電容器(X1)

X1 Series

•FEATURE 特點

- (1) For using in radio interference suppression, across-the-line (spark killer circuit), line-by-pass, antenna coupling, FMI filter, & switching power supply application.
- (2) Flame-proof plastic case (compliance with UL94V-0)
- (3) High stability of capacitance & DF versus wide Temp. & Freq. range
- (1) 應用於射頻抑制, 跨線電花抑制, 線間旁路, 天線耦合, 調頻濾波和開關電源
- (2) 不燃性塑膠盒(符合UL94V-0)
- (3) 在寬溫度和頻率範圍內, 電容值和散逸因子具高穩定性



•SPECIFICATIONS 規格

Operating Temperature Range 操作溫度範圍	-40°C ~ + 100°C
Rated Working Voltage 額定工作電壓	300VAC
Rated Capacitance Range 電容值範圍	0.0047 μF ~ 10.0 μF
Capacitance Tolerance 電容誤差值	J (± 5%), K(± 10%), M(± 20%)
Dielectric Strength 誘電強度	Withstand 150% of rated working voltage for 1 minute at 25 degree C.
Dissipation Factor (D.F.) 散逸因子	Less than 1.0% at 1KHz, 25°C
Insulation Resistance 絕緣電阻	15,000 MΩ min., for C ≤ 0.33 μF 5,000 MΩ X μF min., for C > 0.33 μF

•DIMENSIONS 尺寸

(unit:mm)

Cap. (μF)	Rated Volt. (VAC)	W	H	T	P	dφ
0.0047	300	13.0	11.0	5.0	10.0	0.6
0.01	300	13.0/18.0	11.0	5.0	10.0/15.0	0.6/0.8
0.015	300	18.0	11.0	5.0	15.0	0.8
0.022	300	18.0	11.0	5.0	15.0	0.8
0.033	300	18.0	11.0	5.0	15.0	0.8
0.047	300	18.0	11.0	5.0	15.0	0.8
0.056	300	18.0	11.0	5.0	15.0	0.8
0.068	300	18.0	11.0	5.0	15.0	0.8
0.1	300	18.0	12.0	6.0	15.0	0.8
0.15	300	18.0	14.5	8.5	15.0	0.8
0.22	300	18.0/26.5	16.0/16.5	10.0/7.0	15.0/22.5	0.8
0.27	300	26.5	17.0	8.5	22.5	0.8
0.33	300	26.5	17.0	8.5	22.5	0.8
0.39	300	26.5	19.0	10.0	22.5	0.8
0.47	300	26.5/32.0	19.0/20.0	10.0/11.0	22.5/27.5	0.8
0.56	300	32.0	20.0	11.0	27.5	0.8
0.68	300	32.0	20.0	11.0	27.5	0.8
1.0	300	32.0	22.0	13.0	27.5	0.8
1.5	300	37.0	24.0	13.5	32.5	0.8
2.2	300	37.0	26.5	16.0	32.5	0.8
4.7	300	51.0	30.5	20.0	47.5	0.8
10.0	300	51.0	43.5	29.0	47.5	0.8