

ALUMINUM ELECTROLYTIC CAPACITORS

LUG

85°C Lug 型端子
85°C Lug Terminal Series

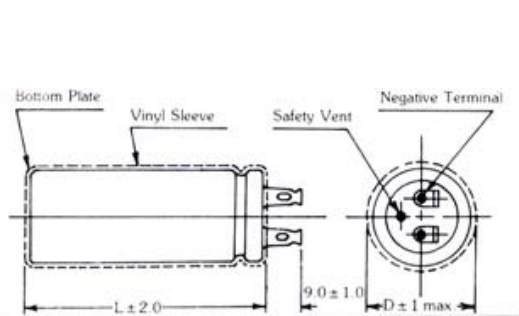
- Lug 型端子 產品,適用於電源濾波電路
- 產品壽命保證2,000 小時/85°C
- Lug terminal designed for power filtering circuit.
- Life guaranteed 2,000 hrs./85°C.



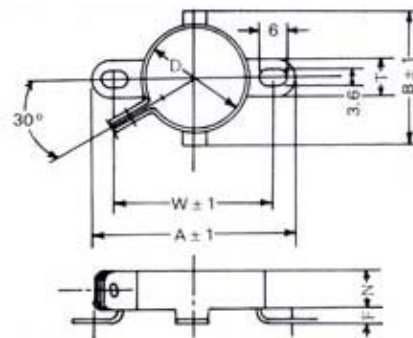
• Specifications

Item	Performance Characteristics							
Operating Temperature range 使用溫度範圍	-40 + 85°C							
Rated Voltage 額定電壓	16V ~ 100V							
Capacitance Range 容量範圍	1000 ~ 33,000 μF							
Capacitance Tolerance 靜電容量容許差	±20% (120Hz, 20°C)							
Leakage Current 洩漏電流	I ≤ 0.03CV or 5 mA, whichever is greater after 5 minutes application of rated voltage.							
Dissipation Factor 散逸係數 (120Hz, 20°C)	Rated voltage (V)	16	25	35	50	63	80	100
	Tan δ (max.)	50	40	35	30	25	25	25
Temperature Characteristics 溫度特性 (120Hz)	Impedance Ratio / Stability at Low Temperature							
	Rated voltage (V)	16	25	35	50	63	80	100
	Z (-25°C) / Z (20°C)	4	3	3	2	2	2	2
	Z (-40°C) / Z (20°C)	15	10	8	6	6	5	5
Load Life 高溫負荷特性	After 2,000 hours application of WV at 85°C, capacitor shall meet the characteristics requirements mentioned below.							
	Capacitance change	Within ±20% of initial value						
	Tan δ	200% or less of initial specified value						
	Leakage current	Initial specified value or less						
Shelf Life 擺置壽命	After leaving capacitors under no load at 85°C for 1,000 hours and applying voltage according to JIS C5102 and C5141, they shall meet the specified value as load life characteristics listed above.							

• Dimension



(Mounting Holder)



Dφ	A	W	B	T	N	F
22	43	35	--	10	7	2.5
25	48	38	33	10	8	2.5
30	52	43	38	10	9	2.5
35	61	50	44	10	10	4

• Size & ripple current

Unit: DxL(mm)

Cap(μF)	16 (20)		25 (32)		35 (44)		50 (63)		63 (75)		80 (100)		100 (125)	
	WV(SV)		WV(SV)		WV(SV)		WV(SV)		WV(SV)		WV(SV)		WV(SV)	
1000											22 x 25	1500	22 x 30	1710
1500									22 x 25	1660	22 x 30	1880	25 x 30	2030
2200							22 x 25	1920	22 x 30	2080	25 x 30	2220	25 x 40	2640
3300					22 x 25	2040	22 x 30	2350	25 x 30	2410	25 x 40	2830	25 x 50	3250
4700			22 x 25	2250	22 x 30	2410	22 x 30	2620	25 x 35	2790	25 x 50	3360	30 x 50	3650
6800			22 x 30	2690	25 x 30	2700	25 x 40	3200	25 x 50	3530	30 x 50	3980	35 x 50	4480
10000	22 x 30	2810	25 x 30	2970	25 x 35	3060	25 x 50	3700	30 x 45	3720				
15000	25 x 30	3110	25 x 35	3390	25 x 50	4060	30 x 50	4610	35 x 50	5300				
22000	25 x 45	4250	25 x 45	4480	30 x 45	4940								
33000	30 x 45	5480	30 x 50	6050									Case Size	ripple

Ripple (mA) at 85°C 120Hz